

Stenhøj Mobile 72

Stenhøj Mobile 72

Electro-hydraulic mobile lifts

The STENHØJ Mobile 72 is delivered as standard with 4 posts; one main and three secondary ones.

The lift can be extended by another two posts and is thus suitable for all kind of vehicles – from vans to articulated buses; and for almost all kinds of repair jobs.

Mobile 72 has a capacity of 7.2 t per post.

The lift is equipped with electronic synchronization and super-vision between posts.

Delivery is inclusive of 10 m cable per post.



Integrated towing jack on each post.



Adjustable supports for all wheel sizes. No separate adaptors required.



All wheel sizes – 155R13 – 13R22.50 (ø550 – 1140 mm).



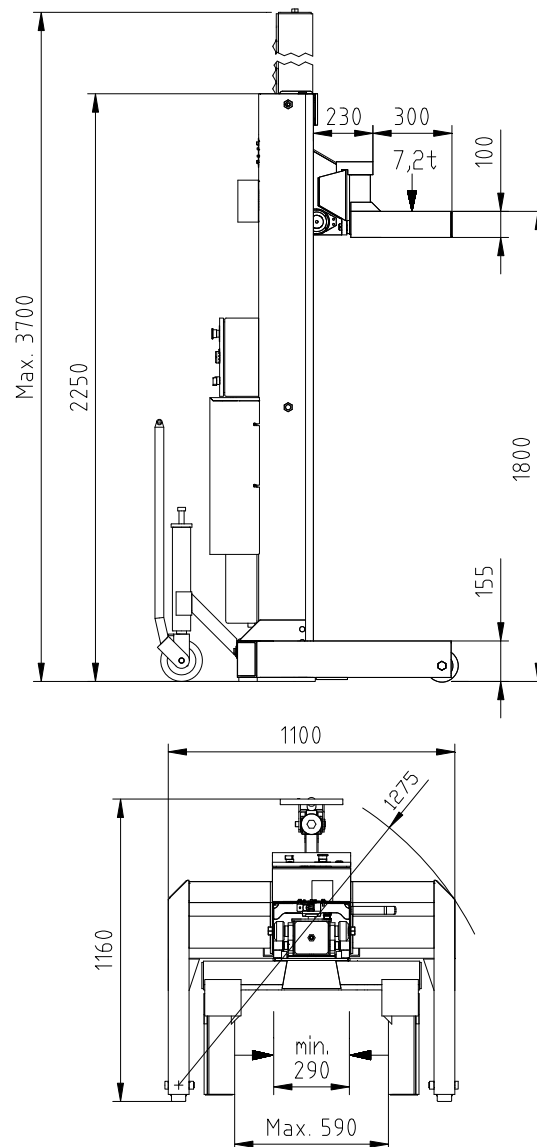
STENHØJ
lifting the level

CORROSION-PROOF SURFACE TREATMENT

All Stenhøj lifts are led through a sling purifying plant (according to SA2.50 – ISO-Norm 8501-1:2007), dipped in primer, and finally led through an electro-static powder bake plant.

Technical data

Lifting capacity	7200 kg per post (4- or 6-post lifts)
Lifting/lowering time	135 sec.
Motor	1.1 kW per post



STENHØJ
lifting the level

Stenhøj Autolift A/S
Denmark

Tel: +45 76 82 13 30
Fax: +45 76 82 13 31
Mail: autolift@stenhoj.dk
Web: www.stenhoj.dk

Standard colours

Red Ral 3013
White Ral 9002

No liability accepted for specifications, which are subject to alteration.