

Stenhøj Major 400 & 500

Stenhøj Major 400 & 500

4-post electro-hydraulic lifts

The STENHØJ Major program comprises 2 basic lift series: Major 400 & Major 500. The lifts are especially suitable for service and inspection, repair of brakes, wheels, exhaust system, shock absorbers, transmission and differential. The Major lifts have capacities of 4 and 5.2 t.

The Major lifts are available in A-versions (flush platforms) and B-versions (with front recesses for turntables)

We manufacture special versions for vehicle inspection with play detector in right platform.



Bent profile platforms which prevent deflection. Delivery of all standard Major A and B lifts includes a set of 15 mm aluminium guiding edges for scissor jacks.

Stenhøj offers a large variety of optional extras for the Major lifts; e.g. lighting sets and scissor jacks.

Delivery of all Major lifts includes a height indicator arrow, which helps to ensure that platforms and cross beams are totally level when the lift is parked.



STENHØJ
lifting the level

Stenhøj Major 400 & 500

CORROSION-PROOF SURFACE TREATMENT

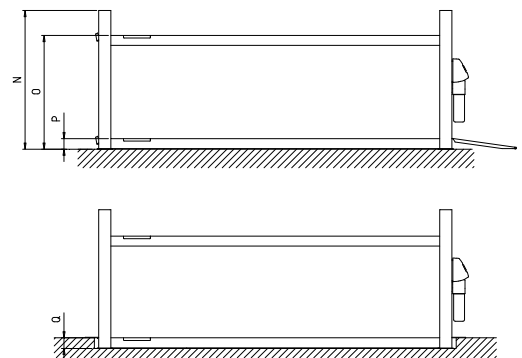
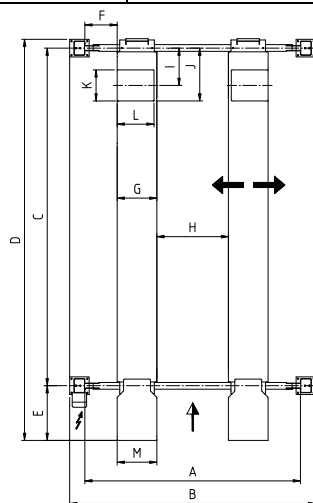
All Stenhøj lifts are led through a sling purifying plant (according to SA2.50 – ISO-Norm 8501-1:2007), dipped in primer, and finally led through an electro-static powder bake plant.

Technical data

	400-series	500-series
Lifting capacity	4000 kg	5200 kg
Lifting /lowering time	22 sec.	22 sec.
Motor	3 kW	3 kW
Min./max. pressure	5/10 bar	5/10 bar

Model	A	B	C	D	E	F	G	H min./max.
Major 423 A/B	2260	2680	4180	5216	913	200	450	810/960
Major 426 A/B	2600	3022	4180	5216	913	390	450	790/1115
Major 426 AL/BL	2600	3022	4680	5716	913	345	500	785/1060
Major 430 A/B	3000	3422	4680	5716	913	480	500	852/1324
Major 430 AL/BL	REPLACED BY MAJOR 4030-51							
Major 530 A/B	REPLACED BY MAJOR 5230-47							
Major 530 AL/BL	REPLACED BY MAJOR 5230-51							

Model	I	J	K	L	M	N	O	P	Q
Major 423 A/B	650	905	510	412	500	2235	1800	170	170
Major 426 A/B	650	905	510	412	500	2235	1800	170	170
Major 426 AL/BL	550	805	510	462	500	2235	1800	170	170
Major 430 A/B	550	805	510	462	500	2235	1800	170	170
Major 430 AL/BL	REPLACED BY MAJOR 4030-51								
Major 530 A/B	REPLACED BY MAJOR 5230-47								
Major 530 AL/BL	REPLACED BY MAJOR 5230-51								




STENHØJ
lifting the level

Stenhøj Autolift A/S
Denmark

Tel: +45 76 82 13 30
Fax: +45 76 82 13 31
Mail: autolift@stenhoj.dk
Web: www.stenhoj.dk

Standard colours

Red RAL 3013
White RAL 9002

No liability accepted for specifications, which are subject to alteration.